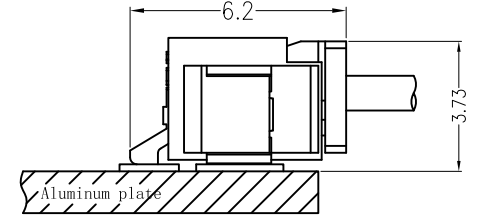
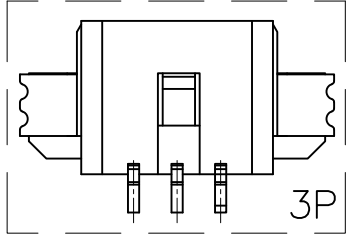
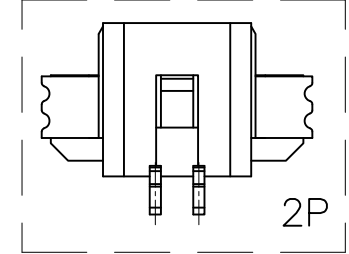
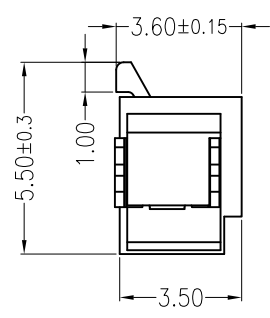
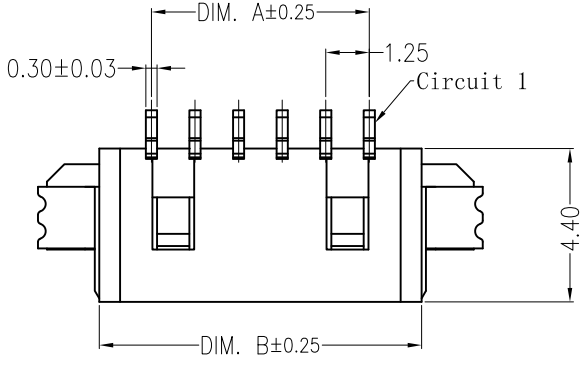


REV	DESCRIPTION	DESIGN	DATE
AO	NEW RELEASE	Jiangjianyin	2020/04/01

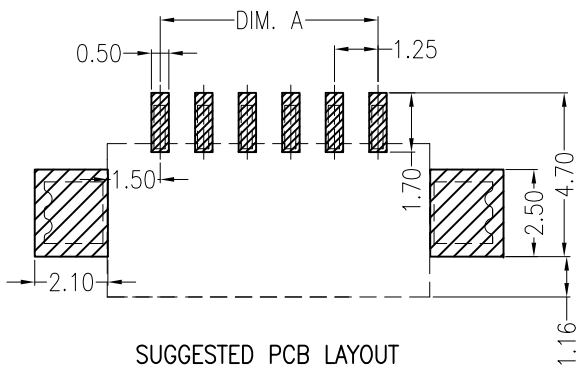
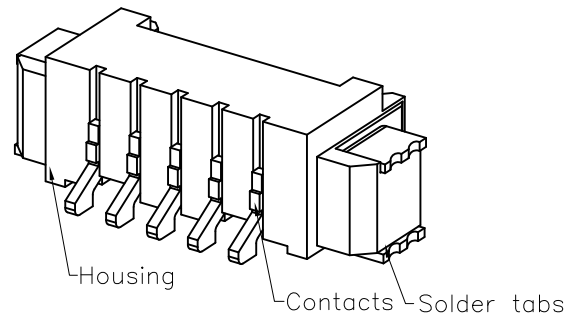
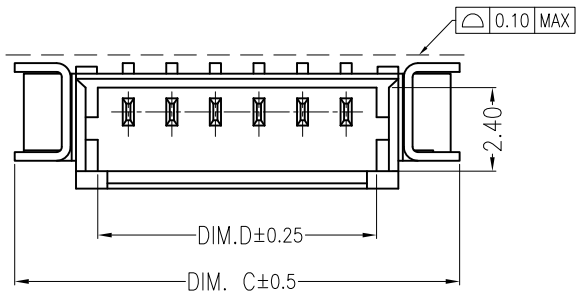
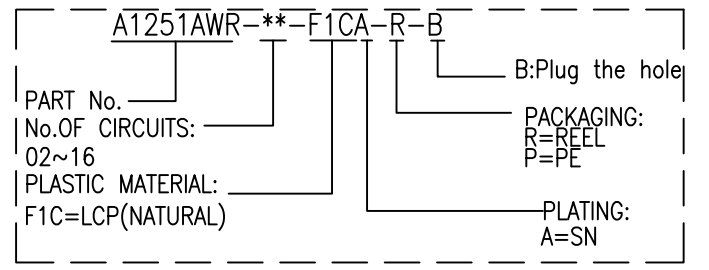


Assembly Layout

Specifications:

- Contact resistance: ≤20mΩ
- Insulation resistance: ≥100MΩ
- Rated voltage: 125V AC DC
- Rated current: 1.0A AC DC
- Withstand voltage: 500V AC/minute
- Temperature range: -25°C ~ +105°C
- Housing: LCP UL94V-0, Natural
- Contacts: Phosphor bronze/Sn
- Solder tabs: Brass/Sn

ORDER INFORMATION:



SUGGESTED PCB LAYOUT

Circuit	Dimensions (mm)			
	DIM=A	DIM=B	DIM=C	DIM=D
02	1.25	4.25	7.75	3.20
03	2.50	5.50	9.00	4.45
04	3.75	6.75	10.25	5.70
05	5.00	8.00	11.50	6.95
06	6.25	9.25	12.75	8.20
07	7.50	10.50	14.00	9.45
08	8.75	11.75	15.25	10.70
09	10.00	13.00	16.50	11.95
10	11.25	14.25	17.75	13.20
11	12.50	15.50	19.00	14.45
12	13.75	16.75	20.25	15.70
13	15.00	18.00	21.50	16.95
14	16.25	19.25	22.75	18.20
15	17.50	20.50	24.00	19.45
16	18.75	21.75	25.25	20.70

JKUN 温州健坤接插件有限公司
WENZHOU JKUN CONNECTOR CO.,LTD.

GENERAL TOLERANCE		USE:
X. ±0.50	X. ±5°	CUSTOMER
X.X ±0.30	X.X ±2°	APPD: Shaojinghe
X.XX ±0.20	X.XX ±1°	CHKD: Zlinglingqing
UNITS: mm		DR: Jiangjianyin

TITLE: 1.25mmPITCH 90°WAFER SMT TYPE	
PART NO.: A1251AWR-**-F***-R	
DWG NO.: JKUN/GCKH-0508	
SCALE 1 : 1	SHEET 1 / 1