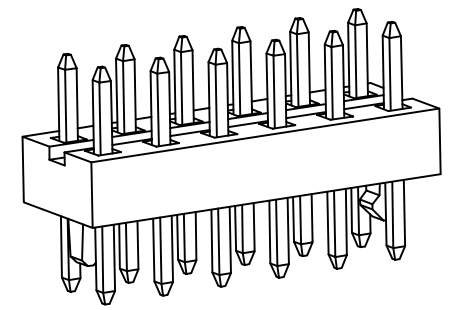
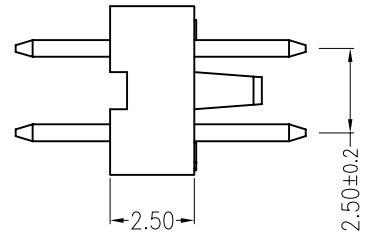
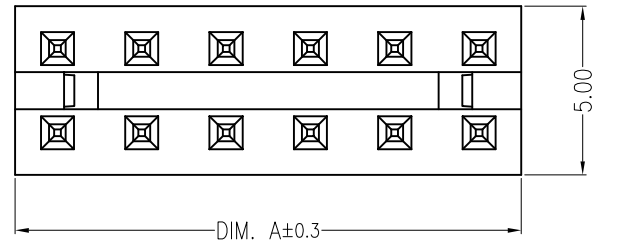


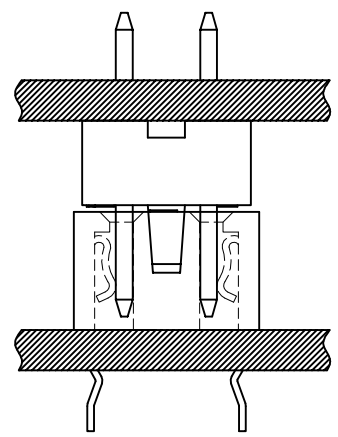
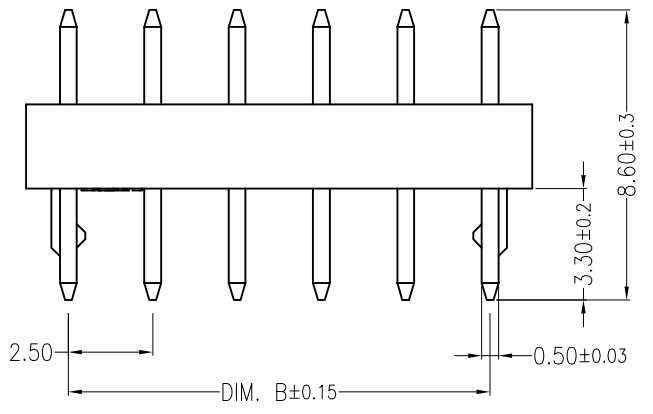
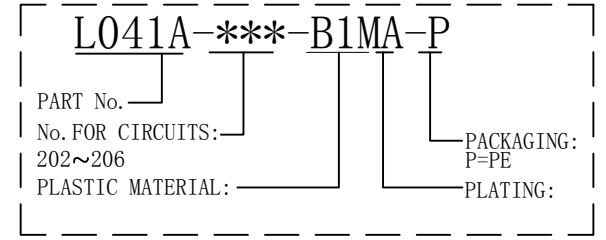
REV	ECN No.	DESCRIPTION	DESIGN	DATE
A0		Release	吴丹平	2015.07.23



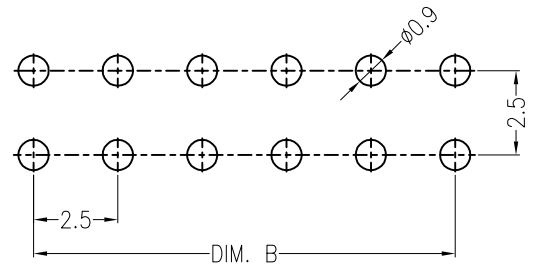
**主要技术参数 Main Specifications**

线数 (Poles): 04 to 12  
 接触电阻 (Contact resistance):  $\leq 20m\Omega$   
 绝缘电阻 (Insulation resistance):  $\geq 1000M\Omega$   
 额定电压 (Rated voltage): 125V AC DC  
 额定电流 (Rated current): 1.0A AC DC  
 耐电压 (Withstand Voltage): 1000V AC/minute  
 温度范围 (Temperature Range):  $-40^{\circ}C \sim +110^{\circ}C$

**ORDER INFORMATION:**



**Assembly Layout**



**SUGGESTED PCB LAYOUT  
(COMPONENT SIDE)**

Circuit	Dimensions (mm)	
	DIM. A	DIM. B
L041A-2X2	5.00	2.50
L041A-2X3	7.50	5.00
L041A-2X4	10.00	7.50
L041A-2X5	12.50	10.00
L041A-2X6	15.00	12.50

ITEM	COMPONENT	Q'TY	MATERIAL	FINISH
C				
B	CONTACT	4~12PCS	Brass	Sn-plated
A	HOUSING	1 PCS	PA46	UL 94V-0, COLOR:BEIGE

<b>JKUN 温州健坤接插件有限公司</b> WENZHOU JKUN CONNECTOR CO.,LTD.		TITLE: L041A-***-01P 2.5mmPITCH 180°WAFER DIP TYPE	
X.±0.5 .X±0.3 .XX±0.25 -- 	X.±5° .X±2° .XX±1° --	USE: CUSTOMER APPD: 邵敬和 CHKD: 田峰 DR: 吴丹平	PART NO.: L041A-***-B1MA-P DWG NO.: JKUN-GCCP-0474 SCALE 1 : 1
UNITS: mm		SHEET 1 / 1	