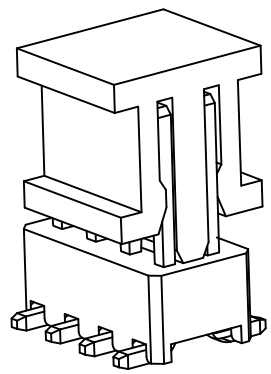


REV	DESIGN	DATE
A0	蒋建银	2019.02.28
-	-	-



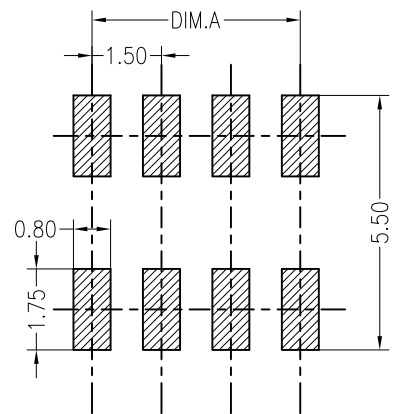
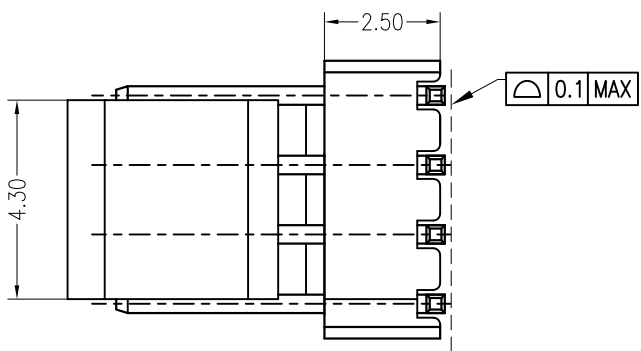
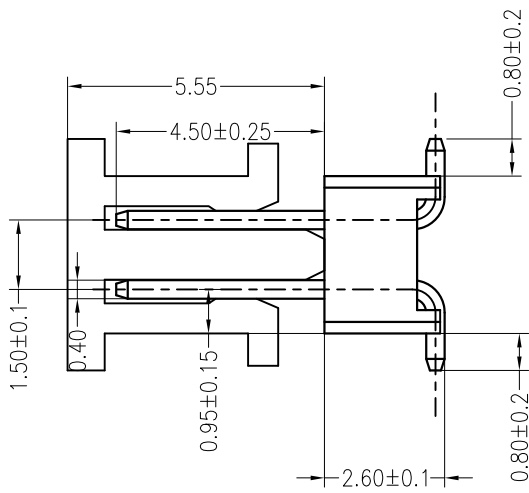
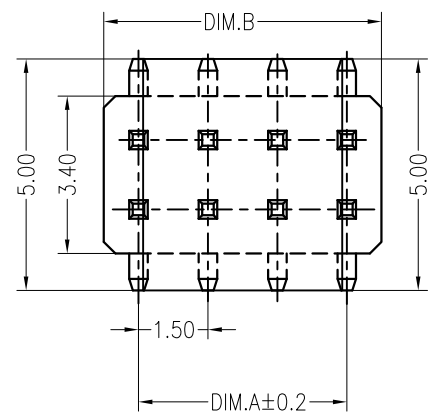
主要技术参数 Main Specifications

- 线数 (Poles): 04 to 16
- 接触电阻 (Contact resistance): $\leq 30m\Omega$
- 绝缘电阻 (Insulation resistance): $\geq 500M\Omega$
- 额定电压 (Rated voltage): 250V AC DC
- 额定电流 (Rated current): 1.0A AC DC
- 耐电压 (Withstand Voltage): 500V AC/minute
- 温度范围 (Temperature Range): $-40^{\circ}C \sim +110^{\circ}C$

ORDER INFORMATION:

L1501AWV-2-F6MB2-R-2**

PART No.:	Special code:
No.OF CIRCUITS:	2=4.5*0.8
2*2~2*8	PACKAGING:
PLASTIC MATERIAL:	R=REEL
F6M=LCP(BEIGE)	Metel code:
PLATING:	2=Brass
B=MATTE Sn	



Board Layout

General Tolerance: ± 0.05

PIN.	DIM A	DIM B	ITEM	COMPONENT	Q'TY	MATERIAL	FINISH	
2*2	1.50	3.00	C	CAP	1 PCS	LCP	UL 94V-0, COLOR:BEIGE	
			B	CONTACT	** PCS	Brass	MATTE Sn-plated	
2*3	3.00	4.50	A	HOUSING	1 PCS	LCP	UL 94V-0, COLOR:BEIGE	
2*4	4.50	6.00	JKUN 温州健坤接插件有限公司 WENZHOU JKUN CONNECTOR CO.,LTD.				TITLE: -	
2*5	6.00	7.50					PART NO.:	
2*6	7.50	9.00	X.±0.5	X.±5'	USE:	CUSTOMER		
2*7	9.00	10.50	.X±0.3	.X±2'	APPD:			邵敬和
2*8	10.50	12.00	.XX±0.25	.XX±1'	CHKD:	曾令青		
			---	---	DR:	蒋建银		
			UNITS:	mm	SCALE	1 : 1	SHEET	
							1 / 1	