

REV	ECN No.	DESCRIPTION	DESIGN	DATE
A0		Release		2018.05.14

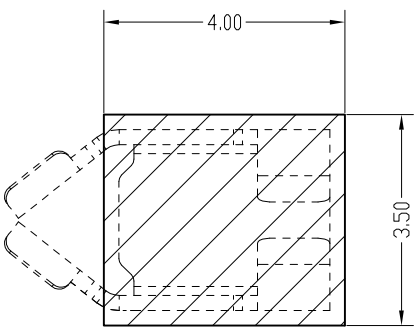
主要技术参数 Main Specifications

板 厚 (thickness): 1.0mm  
 接触电阻 (Contact resistance):  $\leq 20m\Omega$   
 额定电压 (Rated voltage): 250 V AC DC  
 额定电流 (Rated current): 1.0A AC  
 温度范围 (Temperature Range) :  $-45^{\circ}C \sim +125^{\circ}C$

**ORDER INFORMATION:**

**L081B-01-000B1-R**

PART No.					
SPECIAL CODE: 通用编号:					
AWG22-24 线皮外径: $\phi 1.8-\phi 1.4$					
No. FOR CIRCUITS: 01					
PLASTIC MATERIAL:					
000=No plastic parts					
				PACKAGING:	
				R=REEL	
				METAL CODE:	
				1=PhosphorBronze	
				PLATING:	
				B=MATTE Sn	



适用线号: AWG22-24  
 线皮外径:  $\phi 1.8-\phi 1.4$

**Board Layout**

C					
B					
A	CONTACT		1 PCS	PhosphorBronze	MATTE Sn-plated
ITEM	COMPONENT		Q'TY	MATERIAL	FINISH
<b>JKUN 温州健坤接插件有限公司</b> <b>WENZHOU JKUN CONNECTOR CO., LTD.</b>					TITLE: -
X.±0.5	X.±5'	USE:	CUSTOMER		
.X±0.3	.X±2'	APPD:	谭龙清		
.XX±0.25	.XX±1'	CHKD:	田峰		
--	--	DR:	蒋建银		
	UNITS:	mm		SCALE	SHEET
				1 : 1	1 / 1