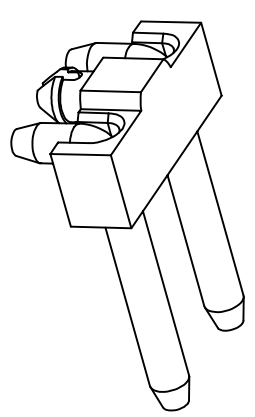
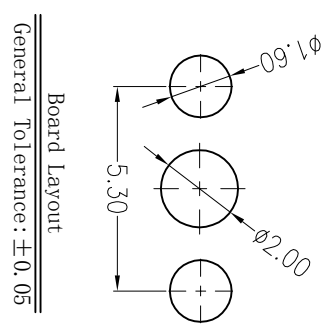
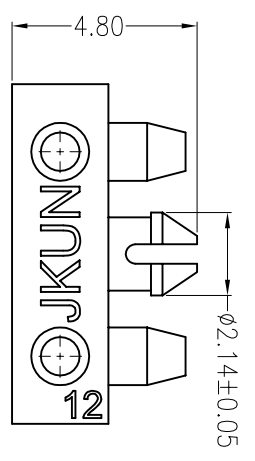
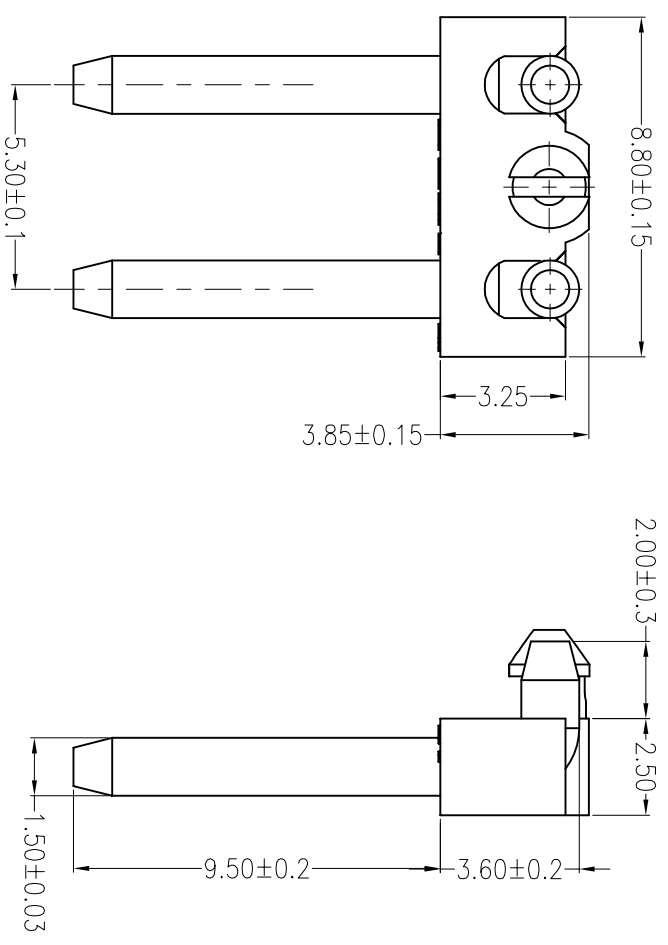


| REV | DESCRIPTION | DESIGN | DATE       |
|-----|-------------|--------|------------|
| A0  | Release     | 吴丹平    | 2016.05.13 |



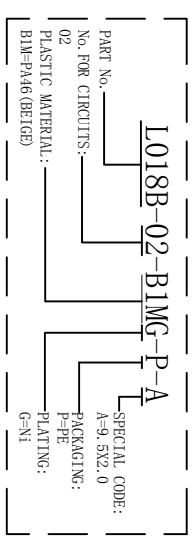
SUGGESTED PCB LAYOUT  
(COMPONENT SIDE)



Board Layout  
General Tolerance: ±0.05

### 主要技术参数 Main Specifications

接触电阻 (Contact resistance):  $\leq 20m\Omega$   
 绝缘电阻 (Insulation resistance):  $\geq 1000M\Omega$   
 额定电压 (Rated voltage): 250V AC DC  
 额定电流 (Rated current): 3.0A AC DC  
 耐电压 (Withstand Voltage): 1000V AC/minute  
 温度范围 (Temperature Range):  $-40^{\circ}C \sim +110^{\circ}C$



| ITEM | COMPONENT | QTY   | MATERIAL | FINISH                |
|------|-----------|-------|----------|-----------------------|
| C    |           | 2 PCS | Bross    | Ni-plated             |
| B    | CONTACT   | 1 PCS | LCP      | UL 94V-0, COLOR:BEIGE |
| A    | PEDESTAL  |       |          |                       |

|  |        |  |       |
|--|--------|--|-------|
| JKUN 温州健坤接插件有限公司<br>WENZHOU JKUN CONNECTOR CO., LTD. |        | TITLE: -                               |       |
| X:±0.5   | X:±5°  | PART NO.: 5.3mmPITCH 90°WAFER DIP TYPE |       |
| X:±0.3   | X:±2°  | APPD: 蒋敬和                              |       |
| .XX±0.25   | .XX±1° | CHKD: 田峰                               |       |
| --   | --     | DR: 蒋建银                                |       |
| UNITS: mm  |        | SCALE                                  | SHEET |
|  |        | 1 : 1                                  | 1 / 1 |